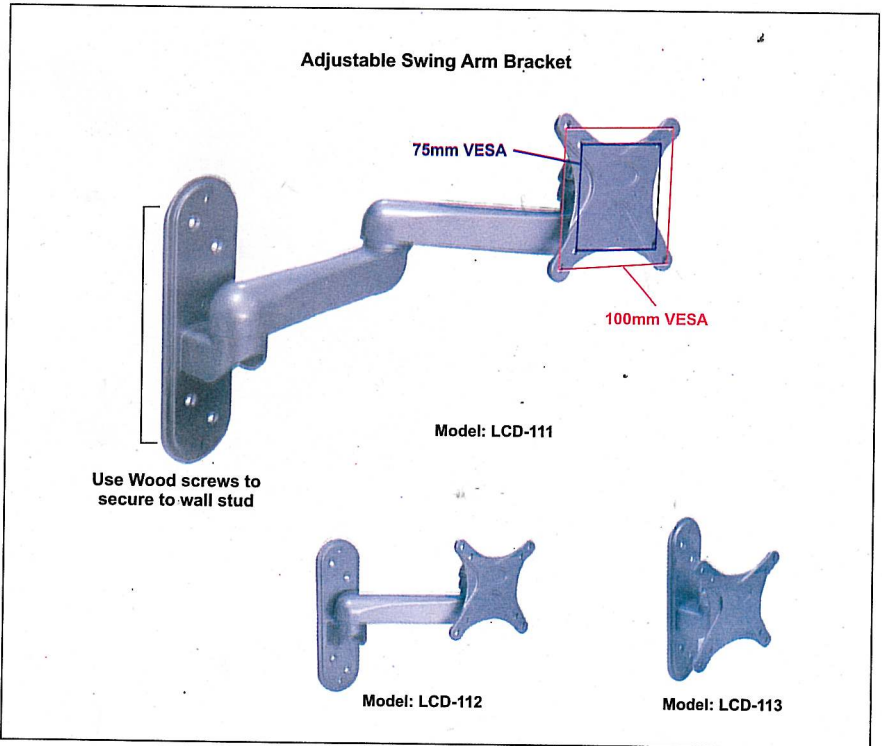


# USER MANUAL

Thank you for your purchase of the new flat panel monitor /plasma TV swing arm bracket. This high quality product will give you many years of service. Its unique face plate design accommodates all VESA® standard 75mm and 100mm monitors. Just follow these simple instructions and you will be enjoying your new flat panel TV / monitor in no time!

- 1) *Unfold your new bracket and use the 2" wood screws to mount the rear plate toward wall stud. **Caution: MUST be mounted directly to wood wall stud. (DO NOT USE MOLLIES!)***
- 2) *Locate the four VESA mounting holes on the back of your monitor, (75mm or 100mm) and use the four small machine screws to attach the monitor to face plate.*
- 3) *Using the Allen wrench, securely tighten the monitor swing arm to desired position.*



**CAUTION:** Do not exceed 33lbs weight limit

VESA is registered trademark of the Video Electronics Standards Association