



VIDEO INTERCOM SYSTEM

INSTALLATION AND OPERATION MANUAL

GV-VP410Y



- First read the user's manual carefully before using this product and call to the nearest dealer or installation service center for detailed guidance when a problem occurs on using or the content isn't understood

FCC COMPLIANCE STATEMENT

INFORMATION TO THE USER: This equipment has been tested and found to comply with the limits for a class B digital device. Pursuant to part 15 of the FCC rules. These limits are designed to provide reasonable protection against harmful interference in a residential installation. This equipment generates, use and can radiate radio frequency energy and, if not installed and used in accordance with the instruction, may cause harmful interference to radio communications. However. There is no guarantee that interference will not occur in a particular installation, If this equipment does cause harmful interference to radio or television reception, which can be determined by turning the equipment off and on, the user is encouraged to try to correct the interference by one or more of the following measures:

- * Reorient or relocate the receiving antenna
- * Increase the separation between the equipment and receiver
- * Connect the equipment into an outlet on a circuit different from that to which the receiver is connected
- * Consult the dealer or an experienced radio/TV technician for help

CAUTION: Changes or modification not expressly approved by the manufacturer could void the user's authority to operate the equipment.

THIS CLASS B DIGITAL APPARATUS COMPLIES WITH CANADIAN ICES-003.
CET APPAREIL NUMERIQUE DE LA CLASSE B EST CONFORME A LA NORME NMB-003 DU
CANADA

Contents

◆ Features	4
1. Introduction	4
2. Components	4
3. Specifications	5
◆ Parts	6
◆ Installation	7
1. Cable connection	7
2. GV-VP410M indoor unit installation	8
3. GV-VP410C outdoor unit installation	10
◆ Name and Function of Each Part	13
◆ Cautions	14
◆ No Trouble	14
◆ Operation Description	15
1. When a visitor arrives at the door	15
2. To see the outdoor	15
3. To check the visitor's appearance	16
4. Open the door	16
◆ Warranty	17
◆ Warranty Card	17
◆ Memo	18

Features

1. Simple installation

Because the currently used door phone 4-wire system and box can be utilized, a separate work is unnecessary and the construction is simple.

2. Solid active semiconductor

Because the solid active semiconductor is used, no preheat is required, no function of this product is affected by temperature or humidity, its life span is semi-permanent and it's strong against an external shock

3. Infrared LED built-in

No separate illumination is needed at dark place or night as well as bright place owing to the built-in infrared LED

4. 1/3 inch solid active element

Using 1/3 inch solid active element allows you to see a cleaner screen than before.

5. Elegant design

This product gives more abundance to the consumer's life as beautiful design corresponding to the modern sense

6. Video Memory Unit (Option)

Records the visual image of up to 32 visitors without any film or tape when you are put. And you can check the memorized images by pressing play button

1. Introduction

This Video Intercom System is an easy-to-use video intercom system offering many benefits and conveniences, such as relieving the anxiety of not knowing who is at the door, to the security-conscious business or homeowner

2. Components

- 1) GV-VP410M: Indoor monitor unit
- 2) GV-VP410C: Outdoor camera unit

Features

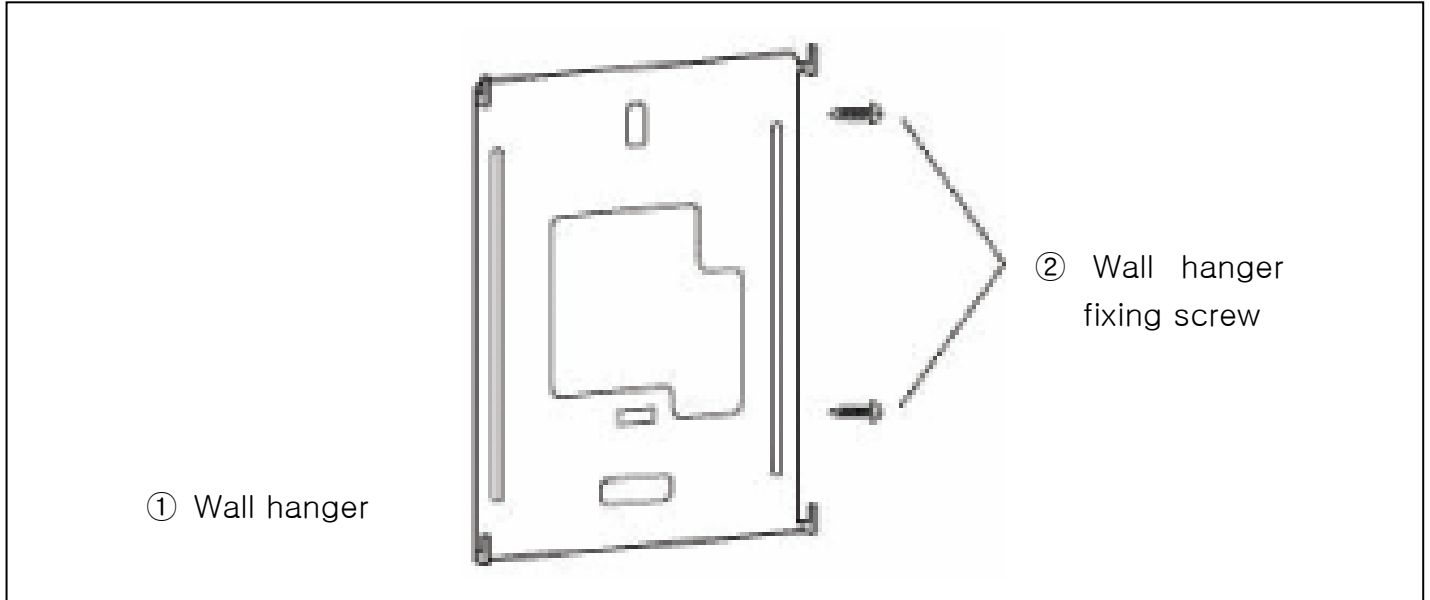
3. Specifications

Outdoor Unit (GV-VP410C)	Specifications
CCD	Black and White 1/3" CCD
SYNC System	Internal
Scanning Frequency	15.75KHz (H) 60Hz (V)
Frame	30/sec
Lens	F=2FixedFocus, 92.5 degrees of viewing angle
Output Signal	Composite Video 75Ω 1Vp-p
External/input jack	Terminal Chime Bell
Illumination	0Lux. (Auto Lighting)
Power Consumption	DC 12V, 3W
Telephone Call System	4-Wire
Scanning System	525 Line
Auto Iris	Internal ALC system
Microphone	Built-in condenser type
Audio Amp	Built-in RX and TX
CCD Pixels	270,000
Dimensions (mm)	96(W) X 128(H) X 46(D)
Weight	177(g)

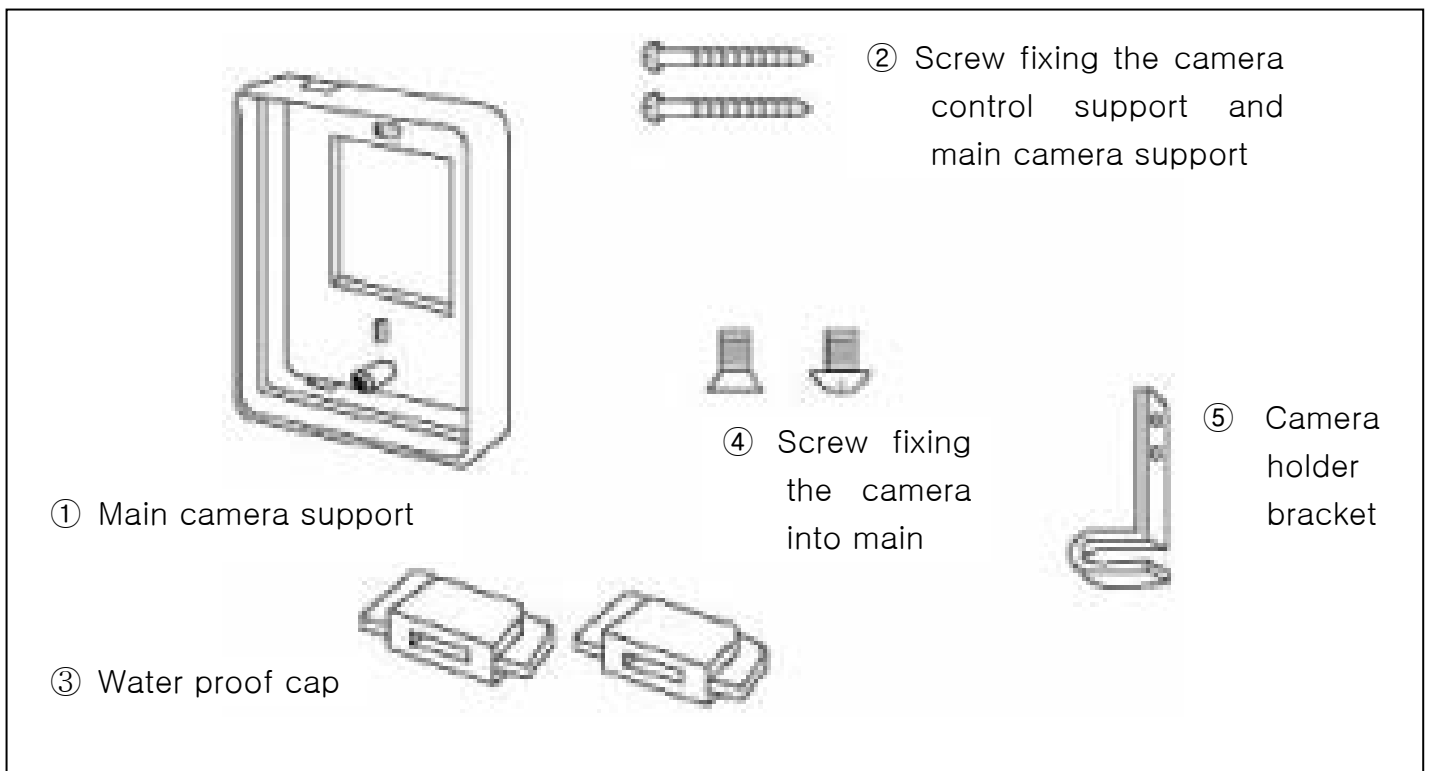
Indoor Unit (GV-VP410M)	Specifications
Monitor	4" Black and White type
Scanning Frequency	15.75KHz(H) 69HZ(V)
Power Consumption	DC 15V, 13W
Resolution	380 TV lines
Input Signal	Composite Video 75Ω 1Vp-p
External/input jack	Terminal Chime Bell
Dimensions (mm)	190(W) X 230(H) X 52(D)
Weight (g)	1.229(g)

Parts

Monitor Parts

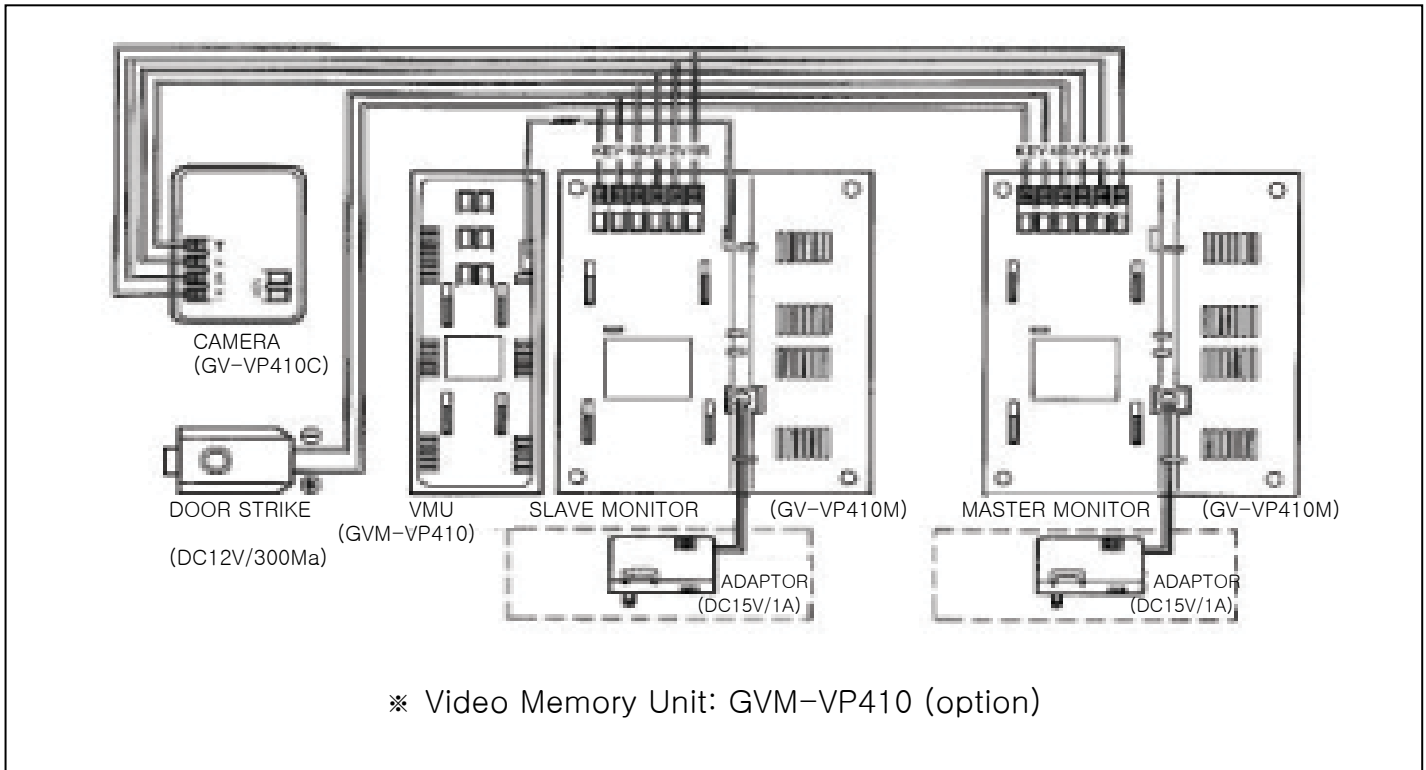


Camera Parts



Installation

1. Cable Connection



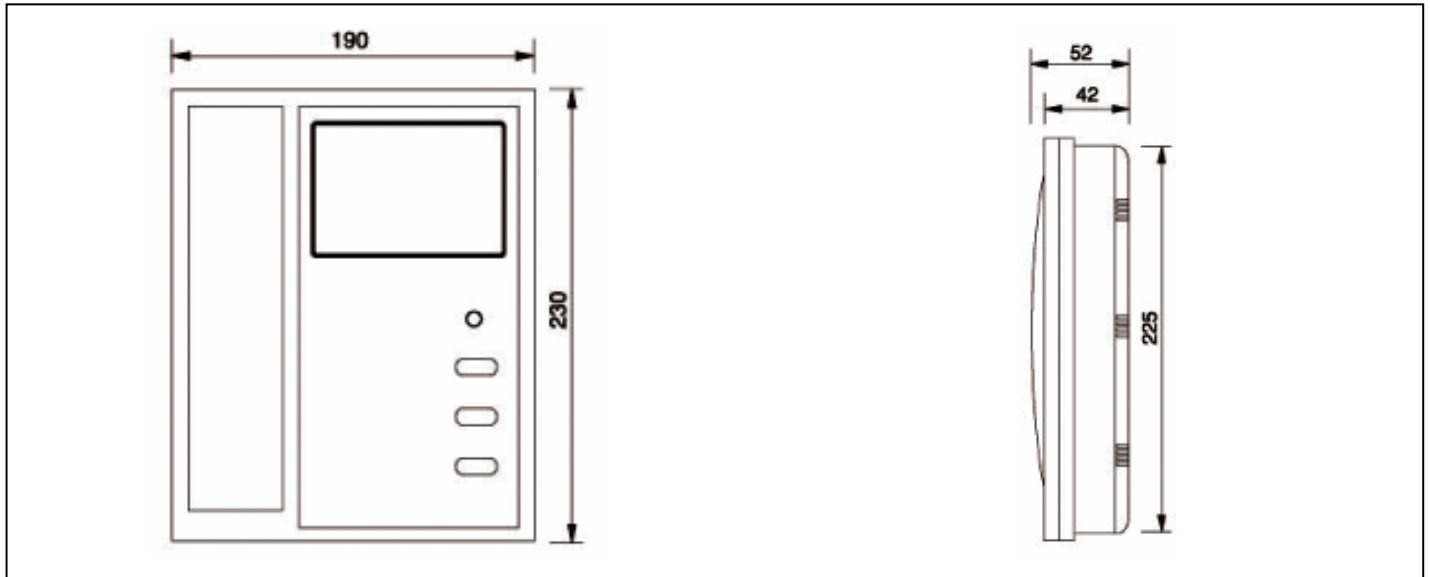
1-1. Cable connection Precautions

- * Monitor and door camera wiring, 4-wire type, are polarized, as seen in preceding diagram, Thus, special attention to polarity should be given, because wiring of other specifications will not operate system.
- * Available Video door phone wiring with 0.65Φ is less than 50m in length
Coaxial cable (5C-2V) is used for any length for any exceeding system
- * Connecting wiring between monitor and door camera must not be installed near other electrical cable, nor be horizontal. (In such case, clear picture can be expected, due to interruption by electrical noise)

Installation

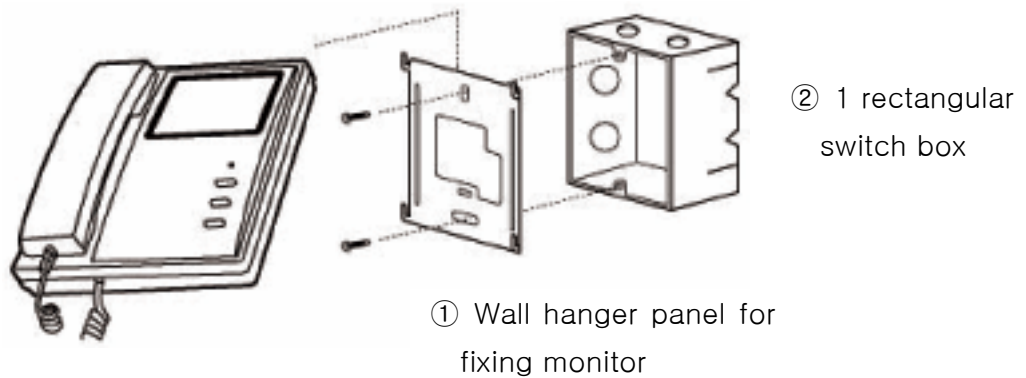
2. GV-VP410M Indoor Unit Installation

2-1. External View



2-2. Installation

1. When system is attached to 1 rectangular switch box

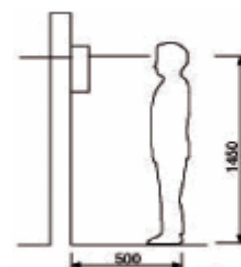


When system is attached to wall or pillar



Standard height monitor

Center of Braun tube



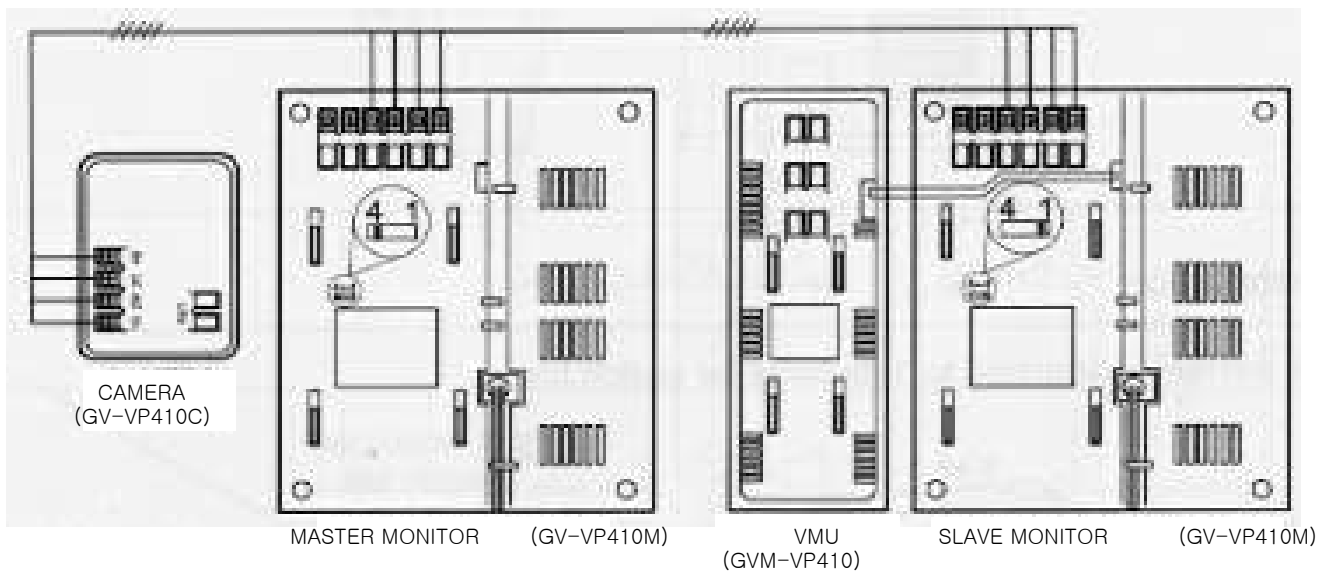
(Unit: mm)

Installation

2-3. Installation Precautions

- * Keep away from humidity, magnetic force, medicines, direct sunlight, heater, and so on, which may result in a trouble.
- * The standard height of monitor is within 1,450mm and 1,500mm from the floor on the basis of the Flat CRT

2-4. Additional Monitor and Video Memory Unit Installation (Option)

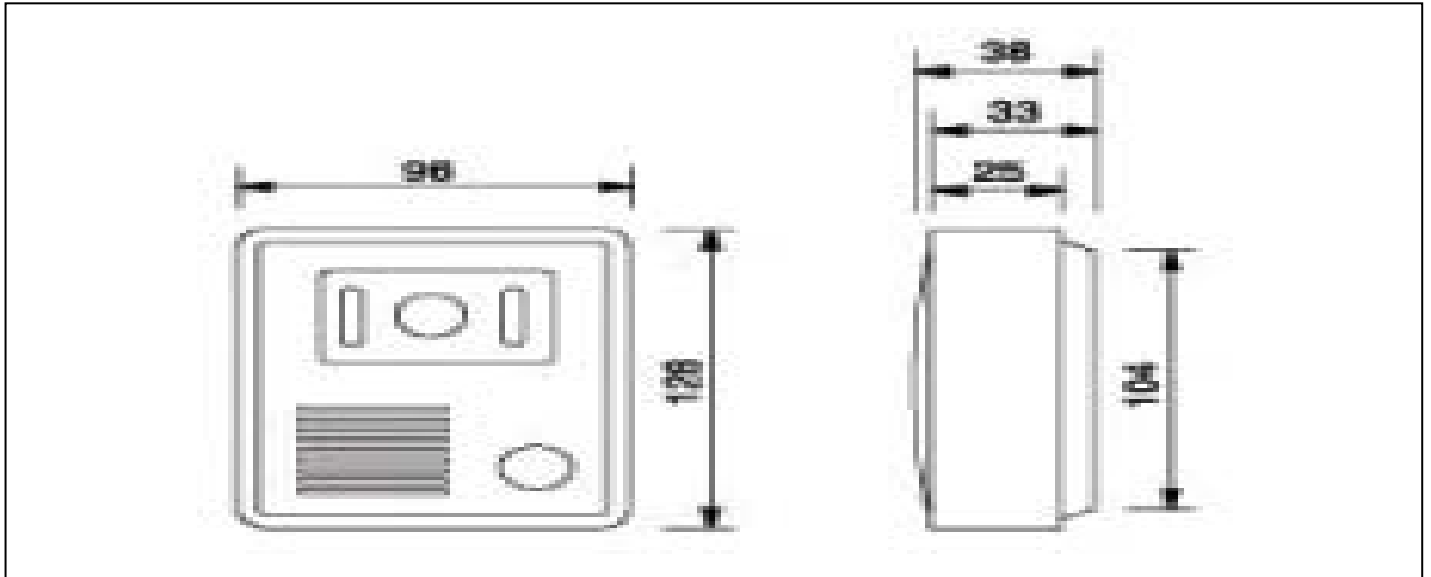


- * When 1 camera and 1 monitor are used, switch the Multi monitor selecting switch, located on the back of monitor, to “1”.
- * When 1 camera and more than 2 monitors are connected, switch the Multi monitor selecting switch, located on the back of the monitor unit, to “1” on the last monitor and switch it to “4” on the last monitor.
- * Video memory unit should be connected to the last monitor.

Installation

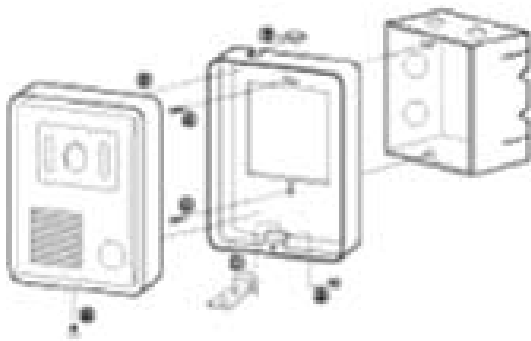
3. GV-VP410C Outdoor Unit Installation

3-1. External View



3-2. Installation

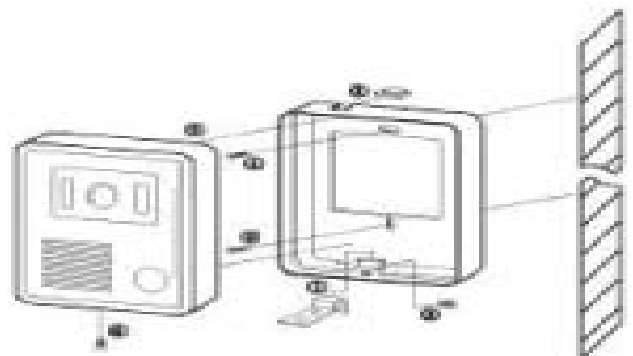
When system is attached to 1 rectangular switch box



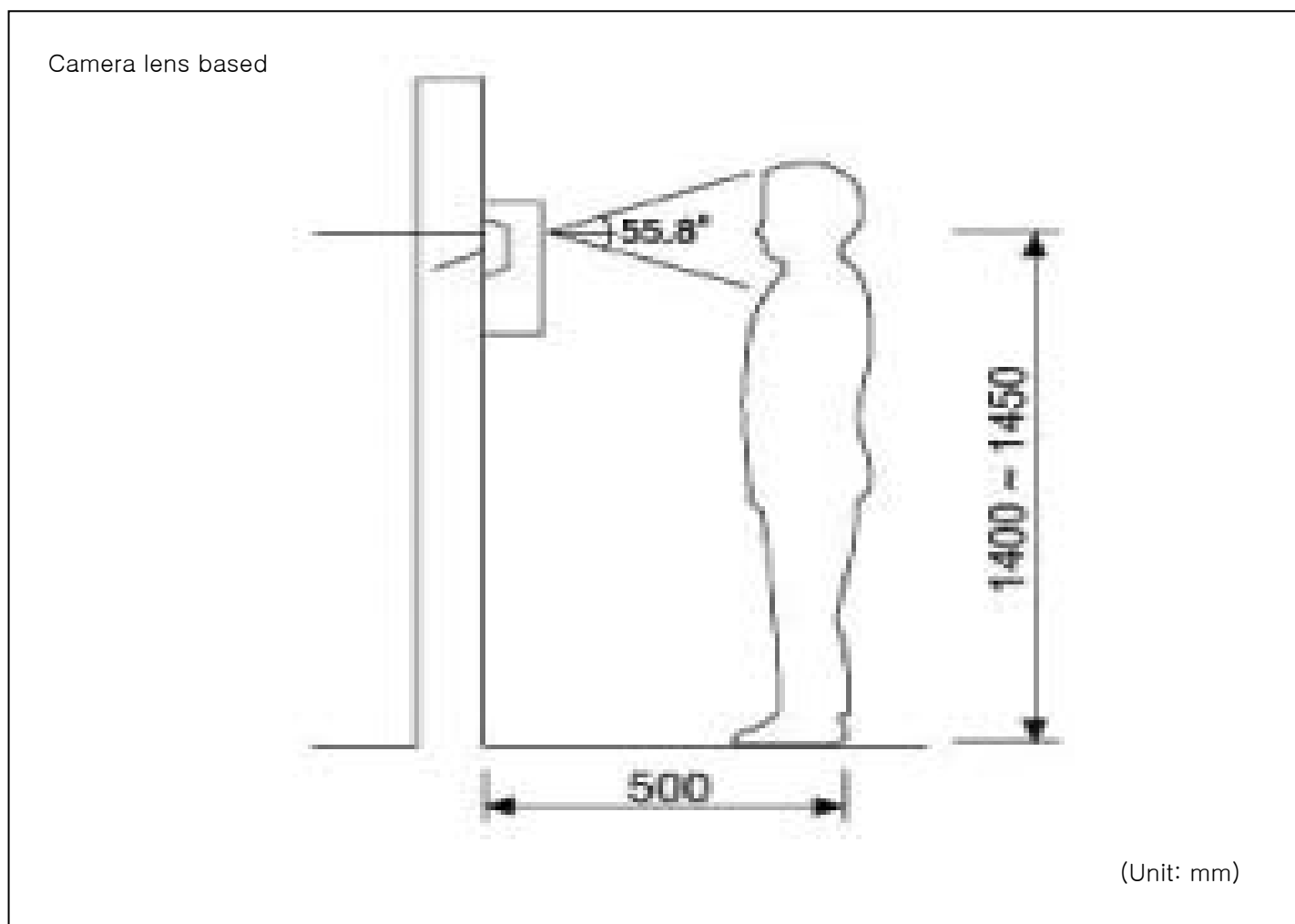
② 1 rectangular switch box

① Wall bracket for fixing camera.

When system is attached
To wall or pillar



3-3. Installation Location



- * Standard height of door camera is 1,400~1,450mm from the bottom of one hall switch box.
- * In case that height of camera exceeds the range of min. 1,250mm~1,550mm, it is impossible to control the screen picture with only the lens angle, and therefore, be careful of the height of camera installation.

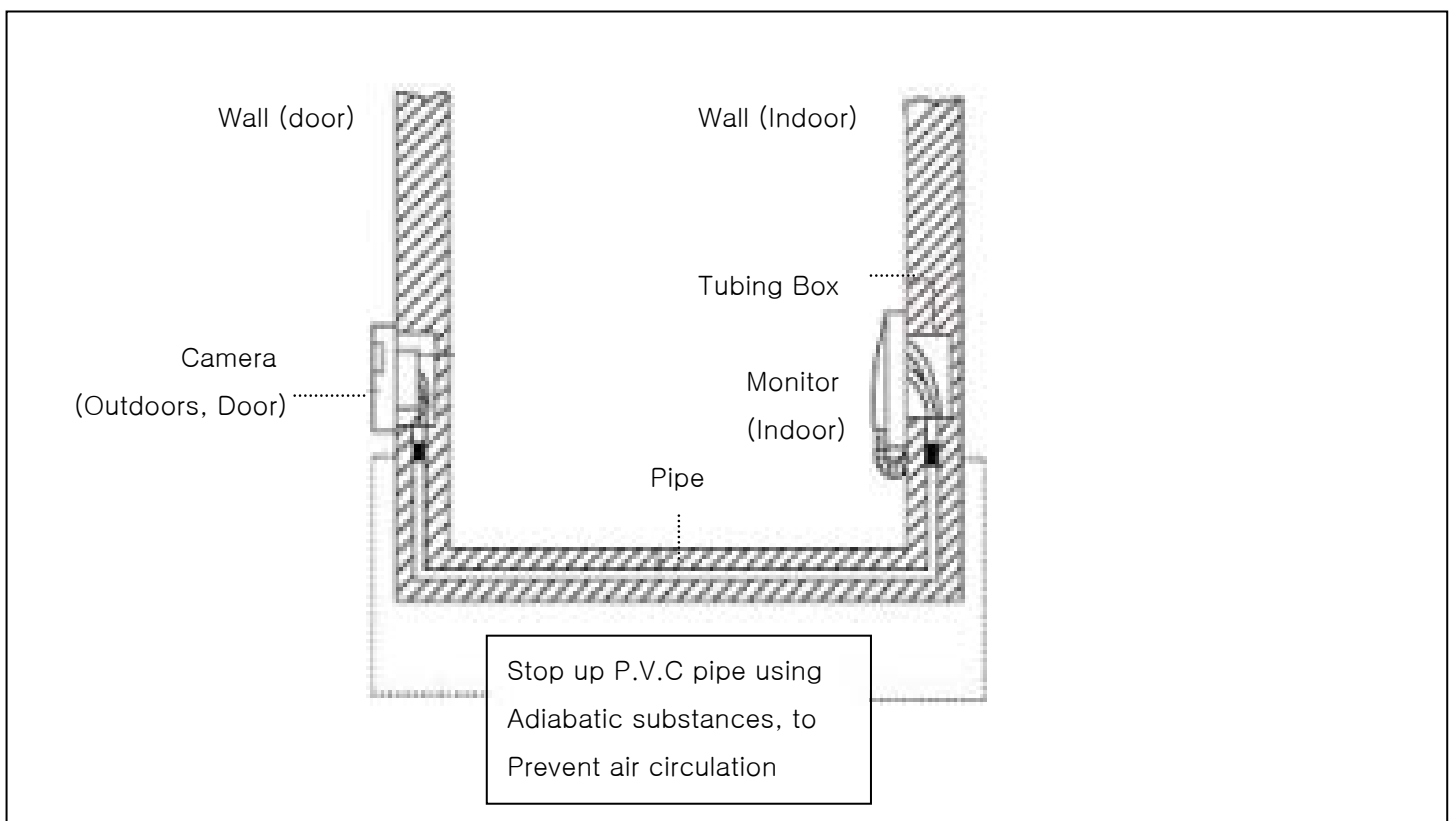
Installation

3-4. Installation Precautions

- * Monitor and camera must be installed away from direct light and counter light.
- * Camera must be installed at a place free from rain.
- * Standard height of monitor must be, 1,450mm~1,500mm from ground.
- * Camera should be installed on the wall in which cement is completely dry.
- * If installed during winter season at temperature below -5 , condensation might be generated inside monitor and camera due to temperature difference between indoors and outdoors.

To prevent breakdown due to such condensation, connection should be made in 2 hours or more after installation.

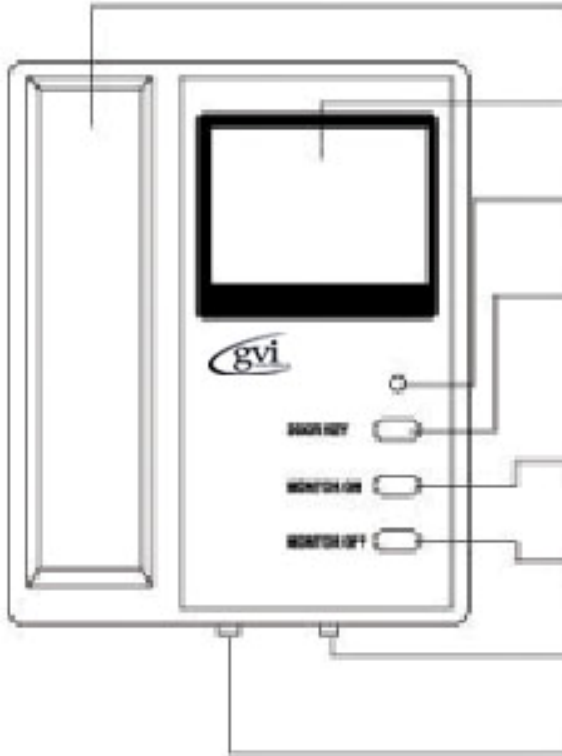
- * Do not install monitor and camera in location subject to direct heating as harmful gases may subsequently be emitted in significant amounts.



- * Covering the pipe as shown in figure the pipe from the temperature difference between indoor and outdoor and block humidity and condensation on window of door camera.

Name and Function of Each Part

GV-VP410M (Monitor)



Handset

To communicate with door camera

4-inch Screen

To identify visitor

Power LED Lamp

To check power ON/OFF status

Door Key Button

Door opens when this button is pressed. Available only for the door Equipped with door opener. (The current voltage contact is 300mA)

Monitor ON Button

The picture is turned ON when this button is pressed

Monitor OFF Button

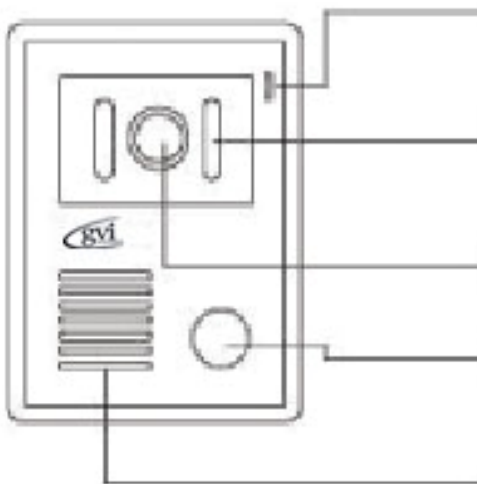
The picture is turned OFF when this button is pressed

Contrast Control

To control is contrast of monitor picture

Volume Control

To control calling signal volume



Condenser Microphone

To be used for communication between monitor and visitor

Infrared LED

Identification of night-time callers without the need for any extra lighting

Camera Lens

Clear picture quality realized by adopting 1/3" CCD



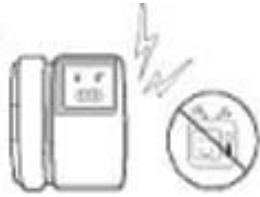

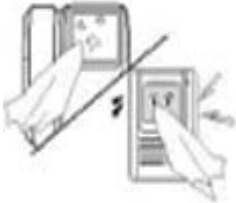

Call Button

By pressing the button, the related house will be called

Integral speaker

When visitor calls on the phone, the sound of communication is amplified and it comes out of the speaker

Cautions

<p>Keep away from humidifier Or heater, High-temperature and humidity may cause a trouble</p> 	<p>Never fall off the monitor And door camera and give A terrible shock to them</p> 
<p>Never place the monitor close to the objects generating a strong magnetic force (TV, Speaker, Etc)</p> 	<p>Never clean this product With hand or in use of Benzene, thinner, etc</p> 
<p>Keep the camera window Clean to maintain the Screen.</p> 	<p>Never disassemble this Product of your down accord Because it's composed of electronic precise part and has high-voltage internally</p> 

No Trouble

1. The door camera is affected by strong light such as direct sunlight, backlight, automobile light, etc. And the monitor image becomes hazy.
2. The screen is shaken or distorted a little due to line noise at pressing the press button of door camera or during conversation.
3. The screen is shaken or distorted due to speaker's magnetic force at approaching the handset to the Flat CRT of monitor
4. The Screen is shaken or distorted due to speaker's magnetic force at approaching the handset to the Flat CRT of monitor
5. The monitor is automatically turned off in 3 minutes owing to built-in monitor protection circuit in case of picking the handset for a long time

Operation Description

1. When a visitor arrive at the door



1. The internal monitor is automatically turned on with call sound and displays has figure when a visitor presses the call button of camera.



2. Pick the handset and check the visitor's appearance before conversation.
At that time, in case of picking no handset, the monitor is automatically turned off in approx. 30 sec

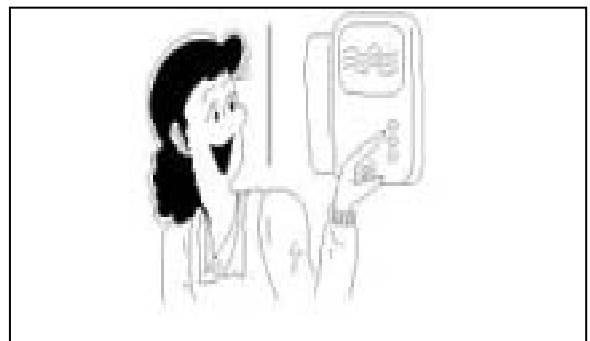


3. Place the handset in the original location at completion of conversation.
But, the monitor is automatically turned off in case of conversation over 3min, and press the monitor button once again to continue the conversation

2. To see the outdoor



1. The monitor is automatically turned on and shows the outdoor by pressing the monitor button of mail unit.

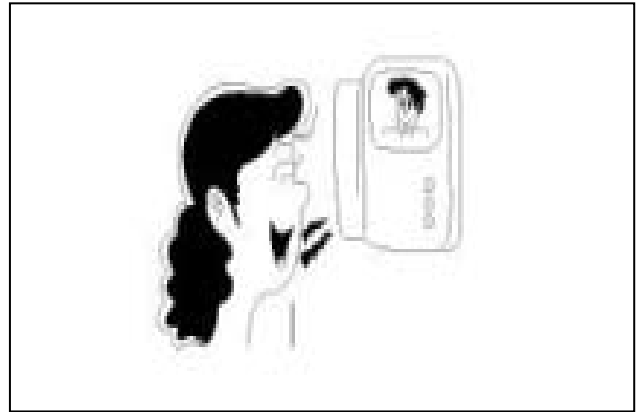


2. Press the monitor button once again to turn off the monitor after checking through the monitor

Operation Description

3. To check the visitor's appearance

1. The internal monitor is automatically turned on with call sound with call sound and displays his figure when a visitor presses the call button of camera at door



2. Then, if you want only to check the visitor's figure, check the only screen instead of picking the handset



4. Open the door

Electronic Door Release option

If your Video Intercom System is equipped with the Electric Door Release option (Or has been installed for the of this feature), you can let your caller in simply by pressing the **DOOR KEY** button

Warranty



To receive after-Sale service, have the following ready when you contact our branches

1. Name of the product
2. Model number of the product
3. The area of problem
4. Phone number and address at which you can be contacted

Warranty Card

PRODUCT	
MODEL	
DATE PURCHASED	
WARRANTY PERIOD	
AGENCY	

☉ **GVI Security** Warranties the original purchaser of this product as follows.

- 1) This product is produced under strict quality control and inspection procedures.
- 2) If this product breaks down during proper use as a result of product defect.
GVI Security will repair it within one year from date of purchase free of charge.
- 3) The following cases will be subject to charge, even during warranty period:
 - a. Breakdown during transport, or through careless treatment, by consumer.
 - b. Breakdown cause by unauthorized repair, or system modification.
 - c. Breakdown cause by natural disaster or power disorder.



GVI Security, Inc.(dba Samsung CCTV)
2801 Trade Center Dr. Suite 120,
Carrollton, Texas 75007, Usa

TEL : 972-245-7353
888-595-2288